

Softing 1799 On-Machine Embedded I/O Modules

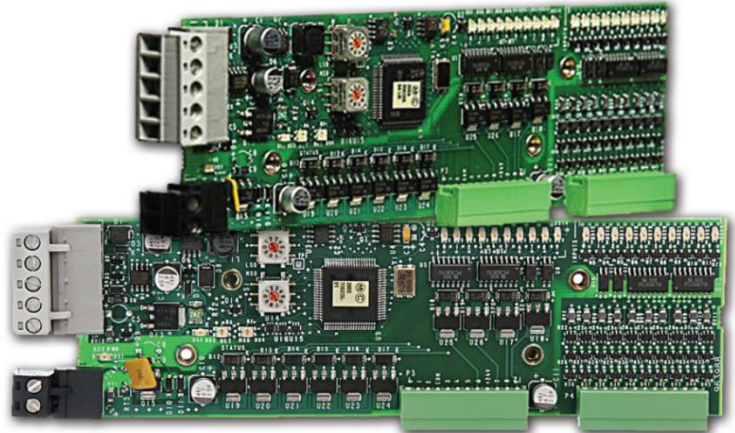
Off-The-Shelf Designs for OEM & Conveyor Applications

SUMMARY

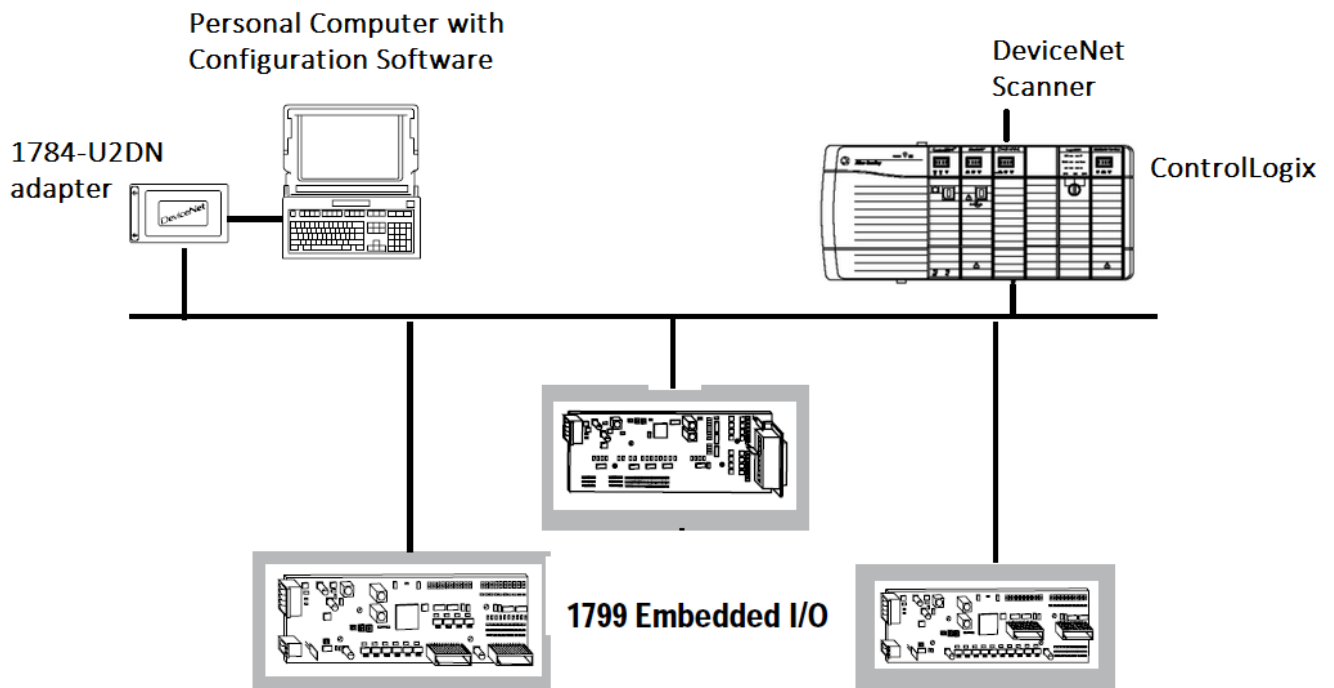
Softing 1799 Embedded I/O modules offer an off-the-shelf solution for OEM machinery and conveyor applications. These board-level products allow you to buy just what is needed for an optimum I/O system connected via DeviceNet.

For OEMs who have traditionally used internal engineering resources for customized I/O development, these components provide a cost-effective alternative.

Space saving Softing 1799 Embedded I/O modules can be quickly incorporated into your machine's mechanical design cycle saving you valuable engineering and manufacturing time.



SYSTEM OVERVIEW



FEATURES/BENEFITS

Feature	Benefit
Removable Terminal Block Connectors	Quick installation and repair
10 to 30 VDC Operation	Meets broad application needs including interface with sensors, valves, etc.
Input delay times	Assures proper contact closure
Output overload/over-temp and short circuit protection	Eliminates failures due to wiring mistakes or damaged loads and thus maximizes system run time
Output over-voltage protection	
Isolation between I/O and DeviceNet	Maintains network power quality and reduces network power requirements
Watchdog circuit de-energizes outputs if hardware faults	Adds protection for reliable operations
Autobaud detection provides automatic network synchronization	Eliminates start-up/replacement network baud rate conflicts and hence reduces maintenance/replacement time
HW or SW setable node address	Reduces installation costs with node address flexibility
DeviceLogix™ Technology*	Provides high speed "smart I/O" local control functions
10x10 Card Dimensions	162.56 mm x 50.8 mm x 32 mm

PRODUCTS

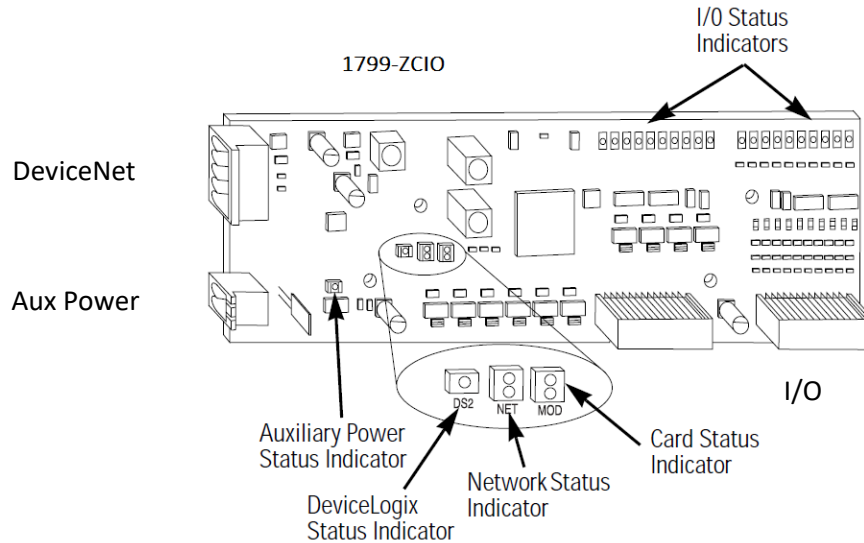
Product	Description
Softing 1799-D10U10B/C	24V DC, 10 Universal Input/10 Sourcing Output Module
Softing 1799-D10U10V/C	24V DC, 10 Universal Input/10 Sinking Output Module
Softing 1799-ZCIOB/C	24V DC, 10 Input/10 Sourcing Output Zone Control Card with DeviceLogix™
Softing 1799-ZCIOV/C	24V DC, 10 Input/10 Sinking Output Zone Control Card with DeviceLogix™
Softing 1799-D10U10BZC/C	24V DC, 10 Input/10 Sourcing Output Zone Control Card with Relative Node Addressing
Softing 1799-D10U10VZC/C	24V DC, 10 Input/10 Sinking Output Zone Control Card with Relative Node Addressing
Softing 1799-DNETCON	DeviceNet 5-pin Linear Plug, Open-style
Softing 1799-DNC5MMS	DeviceNet 5-pin to M12 Connector
Softing 1799-COVZC	Plastic Cover...with cutouts for IO connectors; 4 stand-offs; 4 screws
Softing 1799-COV20	Clear Plastic Cover...with 4 stand-offs; 4 screws
Softing 1799-MP20	Mounting Plate

* DeviceLogix™ is a trademark of Rockwell Automation

SPECIFICATIONS

For Softing 1799-D10U10B/C; -D10U10V/C; -ZCIOB/C, -ZCIOV/C, D10U10BZC/C; -D10U10VZC/C

Input Specifications	Maximum	Minimum
Inputs per block	10 Sinking or Sourcing, Type 1 + compatible	
Off-State Voltage	5V dc	
Off-State Current	1.5 mA	
On-State Voltage	30V dc	10V dc
On-State Current	6 mA	2 mA
Output Specifications	Maximum	Minimum
Outputs per block	10 Sourcing, 0.5A, Short Circuit Protected, Pilot Duty	
Output Auxiliary Voltage	30V	10V
On-State Voltage Drop	250 mV	
On-State Current	0.5 A	
Off-State Leakage	20 μ A	
Board Current (all outputs on)	4.0 A	
General Specifications	Maximum	Minimum
Surge Current – for 10ms, repeatable every 2s (individual outputs)	1.0 A	
DeviceNet Power Voltage	25V dc	11V dc
DeviceNet Power Current	125 mA	
Auxiliary Power Voltage	30V dc	10V dc
Auxiliary Power Current	4.3 A (all outputs on)	100 mA (all outputs off)
Dimensions	1.0H x 2.0W x 6.4D	
Inches (millimeters)	(26H x 51W x 163D)	
Operational Temperature	-10 to 60° C (14 to 140° F)	
Storage Temperature	-40 to 85° C (-40 to 185° F)	
Relative Humidity	5 to 95% non-condensing	
Vibration	5g @ 10-500Hz	
Operating Shock	IEC 60068-2-27 30g	
Non-operating Shock	IEC 60068-2-27 50g	
Isolation voltage	Tested to withstand 1000V dc for 60 seconds	
Conductor wire size	I/O: 20 AWG to 24 AWG; All others:14 gauge (2mm ²);	



About Softing Inc.

As of January 1, 2015, the official North America company name for Softing Industrial Automation is Softing Inc.

For over 35 years, the core business of Softing Industrial Automation has been industrial data communication with products ranging from chips & stacks up to dedicated gateways and data transfer modules.

Softing acquired OLDI in 2014. OLDI is an Original Design Manufacturer (ODM) that designs and sells PAC/PLC modules under other company brands and a few with the OLDI brand. OLDI continues as a separate company as an ODM. Softing Inc. handles sales/marketing/support for Softing branded products.

US Headquarters: Softing Inc.

7209 Chapman Highway • Knoxville, TN 37920 USA • www.softing.us
Phone: In the USA: 800.625.8678 • Outside of the USA: +1.865.251.5252 • Fax: +1.865.579.4740

Europe/Asia-Pacific: Softing Inc. (OLDI)

Via Augusta, 147, 3a • 08021 Barcelona, Spain • Phone: +34 93 241 47 05 • Fax: +34 93 439 8927